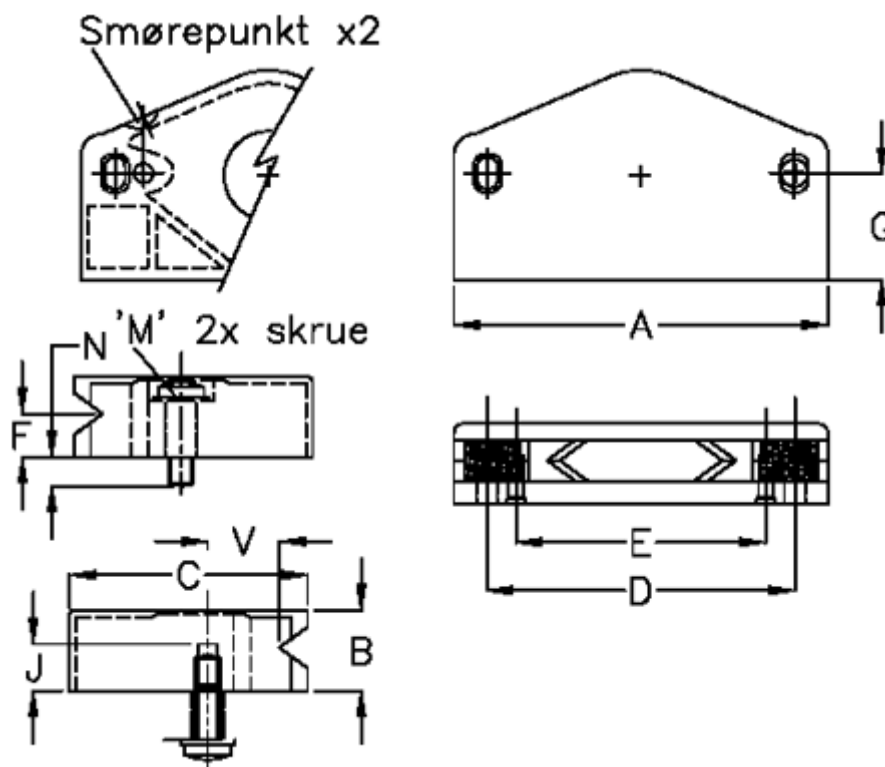


Article number: 059041195

Description: Hepco cap seal CW 195

Measures



A = 43	M	= M2,5x12
B = 11.2	N	= 3.0
C = 22.8	V	= 7.4
D = 35	Weight kg/1000 = 0.006	
E = 27.5		
F = 5.7		
G = 11.3		
J = 7.0		